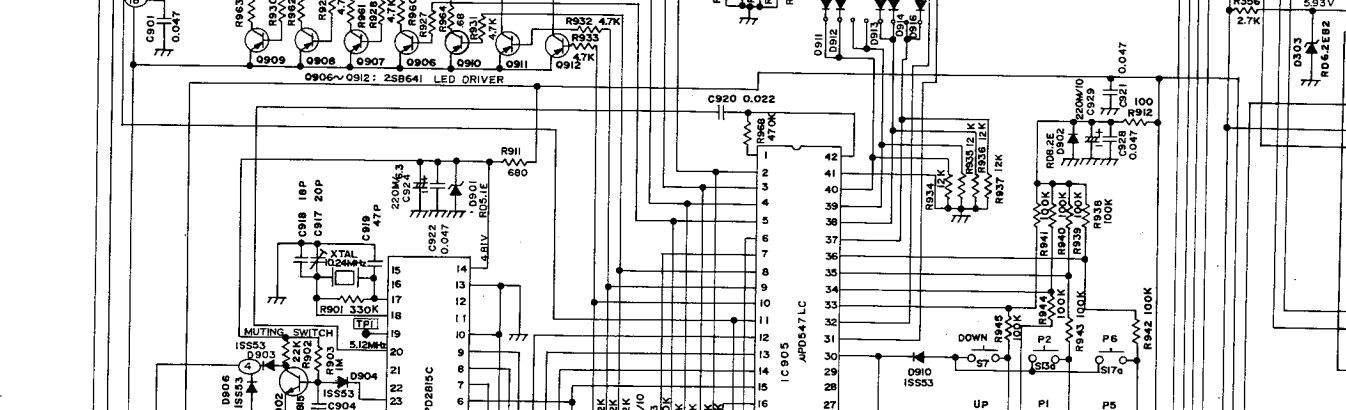
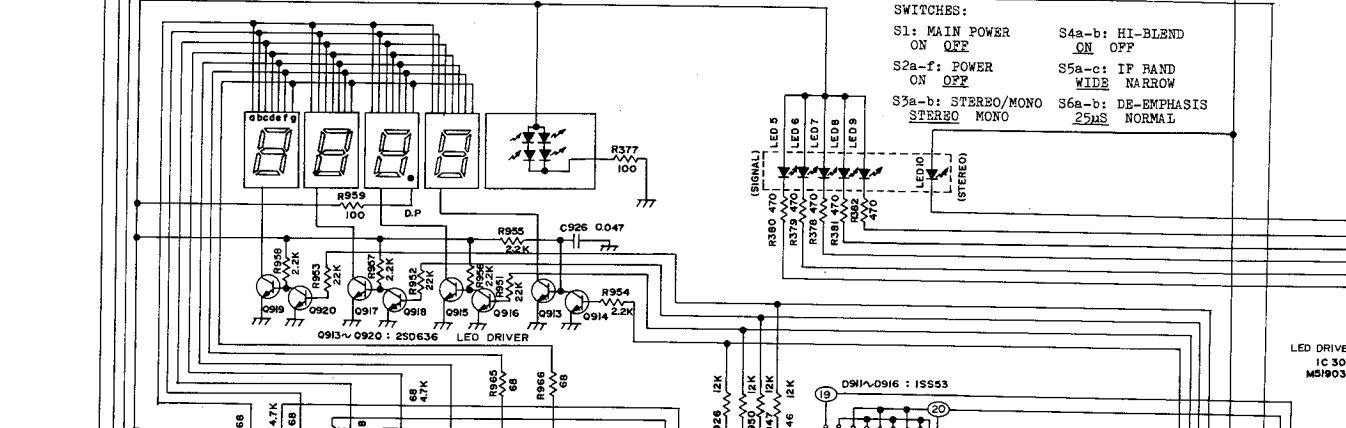


Q1F, Q2F : 3SK74 or equiv.  
Q3F : 2SK61 or equiv.  
Q4F, Q6F : 2SC1215 or equiv.  
Q7F : 2SC930 or equiv.  
D1F, D6F : 1SV55 or equiv.



SWITCHES:  
S1: MAIN POWER ON OFF  
S2a-f: POWER ON OFF  
S3a-b: STEREO/MONO STEREO MONO  
S4a-b: HI-BLEND ON OFF  
S5a-c: IF BAND WIDE NARROW  
S6a-b: DE-EMPHASIS 25μS NORMAL

